

ITC237-PW1B-IRZ

2 Megapixel Full HD WDR Access ANPR Camera



- Embedded with LPR algorithm inside the camera.
- Support plate cutout, overview picture snapshot and video recording
- Embedded with White list database, control the barrier
- Powerful 2.7-12mm motorized lens and IR light, ideal for monitor ANPR distance as 3~8m
- Wide working temperature, IP67, IK10 and superior performance for outdoor applications.
- True WDR technology

System Overview

Featuring a True Day/Night, 2-megapixel resolution LPR camera in parking and access control environment, video detect and recognize the plate in low speed less than 40KM/H with embedded LPR algorithm. White list database inside the camera control the barrier opened. This model provides true WDR for environment with direct sunlight or glare, even head light on when the vehicle approach..

Functions

Embedded license plate recognition algorithm

With built-in intelligent video analytics, the camera has the ability to detect and recognize moving vehicle's plate number in low speed less than 40km/h. No matter for the approaching or departure vehicle, access ANPR camera will take a snapshot for plate cutout, vehicle overview picture and also record the surveillance video.

Embedded White list

Embedded with white list inside the camera, control the barrier opened by the camera relay if the plate number recognized is in the white list. Support to import batch list as much as 10000 records.

Wide Dynamic Range

Embedded with industry leading wide dynamic range (WDR) technology, vivid plate pictures are achieved even in the most intense contrast lighting conditions. For applications with both bright and low lighting conditions that change quickly or the head light of vehicle is on at night, True WDR (140dB) optimizes both the bright and dark areas of a scene at the same time to provide usable video of plate.

Multiple Detection

The camera supports loop and video detection, it is more stable when the system is used for controlling the barrier or counting the vehicle number in the access control, also even the loop detection is accident, video detection will be instead automatically.

Environmental

With a temperature range of -40 °C to +60 °C, the camera is designed for extreme temperature environments. Subjected and certified to rigorous dust and water immersion tests, the IP67 rating makes it suitable for demanding outdoor applications. For environments with rain, sleet, snow and fog, an integrated wiper provides users with clear visibility at all times.

Technical Specification

Camera

Image Sensor	1/2.8" 2Megapixel Starvis R CMOS
Effective Pixels	1920(H) x 1080(V)
Scanning System	Progressive
Minimum Illumination	0.005Lux/F1.6 (Color),0Lux/F1.53(IR on)
Electronic Shutter Speed	1/50~1/10000
IR Distance	3~8m
IR LEDs	4

Lens

Lens Type	Motorized/ Auto Iris(DC)
Mount Type	Board-in Type
Focal Length	2.7mm~12mm
Max Aperture	F1.6
Angle of View	H: 101°~ 36 ° V:53 ° ~20 °
Focus Control	Auto
Focus Distance Range	3-8m
Focus width Range	1 lane

Intelligence

LPR function	Embedded with lpr engine in the camera
Detection model	Loop or video detection
Snapshot	Overview and cutout of plate for picture
OSD overlay	Time, place,plate number,lane No
White list	10000 records database inside the camera
Barrier control	1 ch relay out to control the barrier

Video

Compression	H.265/H.264M/H.264H/H.264B
Resolution	1080P(1920x1080)
Frame Rate	1080P(1 ~ 25/30fps)
Bit Rate Control	CBR VBR
Bit Rate	32 ~ 16384 Kbps
Day/Night	Auto(ICR) / Color / B/W
BLC Mode	BLC,HLC,WDR(140db)
Dual Stream	Support, Main stream and sub stream
White Balance	Auto/Manual
Gain Control	Auto/Manual
Noise Reduction	3D

Network

Ethernet	RJ-45 (100/1000Base-T)
Protocol	IPv4/IPv6, HTTP, TCP/IP, UDP, NTP, DHCP, DNS,
Interoperability	CGI, Onvif
Max. User Access	20
Edge Storage	Micro SD, Max 64GB Status Display Local PC for Instant Recording
Web Viewer	IE8,IE9,IE10,IE11, Chrome V33, V41
Management Software	DSS, PMS, EMS

Certifications

Certifications	CE FCC
----------------	-----------

Interface

Audio Interface	Input/Output 1 Input / 1 Output
RS485	NA
Alarm	2/1 channel In/Out

Electrical

Power Supply	DC12V, PoE (802.3af)
Power Consumption	<12W (with IR on, motorized lens working)

Environmental

Operating Conditions	-40°C~+60°C, Less than 95% RH
Ingress Protection & Vandal Resistance	IP67, IK10

Construction

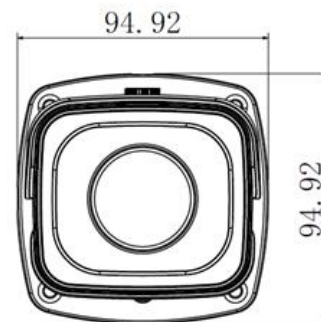
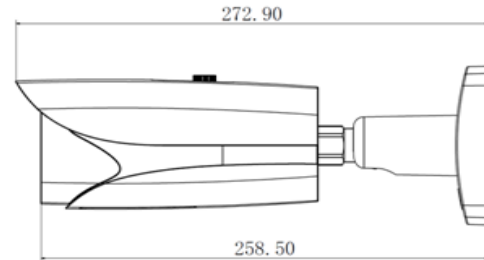
Dimensions	273.30mm × 94.8mm × 94.8mm
Net Weight	1.12kg(1.52 kg with packaging)

Accessories

Pole Mount:



Dimensions (mm/inch)



Ordering Information

Type	Part Number	Description
2MP Camera	ITC237-PW1B-IRZ	2MP HD Access LPR, loop and video detection, embedded LPR
Accessories	PFA162	Housing Bracket
	1.2m Pole	1.2m Pole